

# FlexZone™

## Ranging fence-mounted intrusion detection sensor

### Features & Benefits

- Detect and locate perimeter intrusions over a distance of up to 600 m (1,968 ft) per sensor processor
- Pinpoint intrusions with  $\pm 3$  m ( $\pm 10$  ft) accuracy
- Flexible, software-based zoning (up to 60 distinct zones per processor)
- Precision sensitivity leveling (per meter)
- Power and data over sensor cables simplify infrastructure requirements
- High Probability of detection (Pd)
- Environmentally Derived Adaptive Processing Technology (EDAPT)
- Sensor cables are easily installed on a variety of fence types
- Communication path redundancy ensures continued perimeter protection in the event of a cable cut
- Low power consumption
- Software-configurable output relays simplify integration with alarm monitoring systems
- Audio output of fence response
- Silver Network compatibility enables integrated networking with OmniTrax®, FlexPS™,  $\mu$ ltraWave™ and XField® systems
- Optional Ethernet card with Power over Ethernet (PoE) capability
- Sensors calibrated with Windows®-based point-and-click utility (over the network or locally via USB)
- Interfaces with almost any alarm monitoring system
- Internal alarm queuing in case of network interruption

### FENCE-MOUNTED SENSORS

#### OVERVIEW

**FlexZone™** is Senstar's latest generation ranging fence-mounted sensor. FlexZone detects and locates any attempt to cut, climb or otherwise break through the fence. It accurately locates intrusions even when there are multiple simultaneous intrusions and in the presence of background environmental noise.

Advanced Digital Signal Processing (DSP) enables FlexZone to adapt to a wide variety of fence types. FlexZone builds upon Senstar's 30 plus years of perimeter security experience to deliver a sensor that is simple to install, supports remote configuration and alarm reporting, and works reliably in the most harsh environments.



#### HOW IT WORKS

By monitoring the minute flexing of its sensor cable, FlexZone detects and locates intruders climbing, cutting or lifting the fence fabric. High-speed sampling ensures that the FlexZone processor captures a precise picture of the fence signal.

#### ENVIRONMENTAL DISCRIMINATION

FlexZone differentiates between point disturbances caused by real intrusions and spatially distributed environmental disturbances like wind and rain. Unlike a block sensor, where all events are aggregated together along the entire zone length (including ones caused by distributed environmental conditions), FlexZone divides the events into precise, localized areas, thus maximizing the probability of detection while reducing nuisance alarms.



## ENVIRONMENTALLY DERIVED ADAPTIVE PROCESSING TECHNOLOGY (EDAPT)

Senstar's Environmentally Derived Adaptive Processing Technology (EDAPT) mitigates the effects of wind and heavy rain. Using its precision ranging capability, FlexZone accounts for the background environmental noise level in the vicinity of a disturbance before declaring an alarm. Implemented on each processor, EDAPT reduces nuisance alarms in both networked and non-networked processors.

## SIMPLE INSTALLATION

The sensor cable is attached directly to the fence fabric with UV-resistant nylon cable ties. The processor unit is outdoor-rated and can be mounted on a fence post or other surface.

## REDUCED INFRASTRUCTURE COSTS

The sensor cable can carry both power and data, which greatly reduces power distribution and data communication cable requirements. For larger sites, multiple processors can be linked together and share common power sources and network connections.

## FLEXIBLE ZONING

Each FlexZone processor supports up to 600 m (1,968 ft) of sensor cable. The sensor can be configured in software to support up to 60 distinct, individually sized detection zones. Zones enable a single sensor cable to be used across areas with different operational requirements (e.g., high-traffic areas like gates or entrances) and to provide location data for integration with video surveillance and other security devices.

## PRECISION SENSITIVITY LEVELING

The sensor cable is configured and calibrated with Senstar's Windows®-based Universal Configuration Module (UCM) software. The UCM enables per meter sensitivity leveling and includes a real-time plot mode for viewing fence response data. The UCM software can run on a laptop connected via USB. If the processor is networked, remote access is also supported.

## FENCE TYPES

FlexZone works with chain-link, standard welded mesh and expanded metal mesh fences. On barbed wire, concertina or areas where the sensor cable may be subject to damage, armored sensor cable is available. FlexZone may also be used on other types of fences, with a trial installation being done on a representative section to verify performance.

## GATE OPTIONS

FlexZone cable can be installed on swinging gates to provide detection, and the gate area itself can be configured as an independent detection zone. Gate contacts can be connected to the processor's auxiliary inputs for integrated site monitoring.

For infrequently used gates, a quick-disconnect kit enables the cable to be installed in a contiguous run across the gate while still enabling the gate to be opened when required.

To protect sliding gates, Senstar's ultraWave microwave can be integrated with FlexZone to provide a comprehensive, cost-effective solution. A FlexZone processor receiving power over the sensor cables can power an ultraWave sensor (Tx/Rx pair). If both devices include network cards, FlexZone also provides network connectivity.

For third-party devices like PIRs, FlexZone provides dry-contact inputs to convey alarms to the site's Security Management System (SMS) and can repurpose its power port to provide up to 2.0W of power.

## RELAY OUTPUTS AND DRY-CONTACT INPUTS

Each processor includes four relay outputs and two dry-contact inputs. In stand-alone mode, the function of each relay is individually configured. In network mode, the relays may be controlled by the Security Management System (SMS) and are programmable for output type (steady, flash mode or pulse).

The dry-contact inputs serve as self-test inputs in standalone mode. In network mode, they serve as auxiliary inputs for the SMS and are programmable regarding their active state (open/closed) and resistor supervision mode.

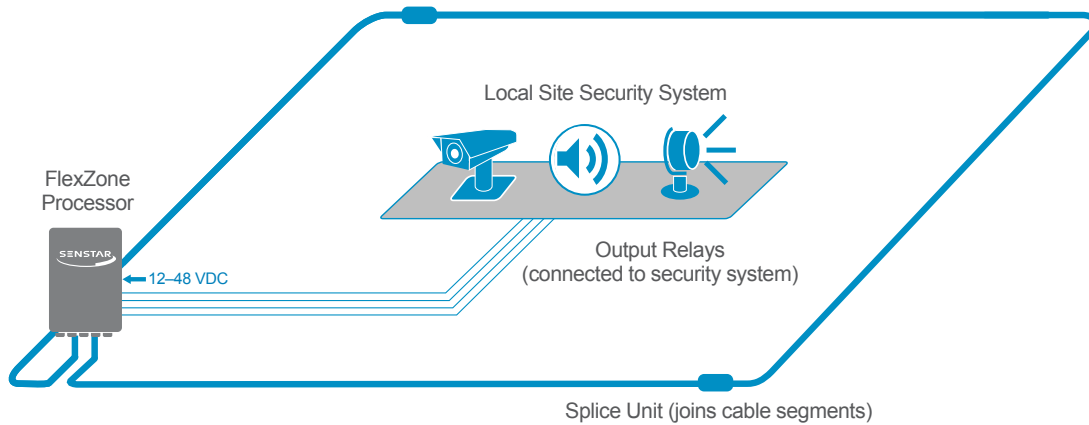
## NETWORKING AND INTEGRATION

Alarms can be reported locally at the processor via output relays or communicated to a central location over a network. FlexZone uses the sensor cable itself for conveying alarm, status, and configuration information. The sensor network can be polled from both ends of the perimeter, thus providing redundant data paths. If network connectivity is lost, alarms are queued internally and resent when connectivity is re-established.

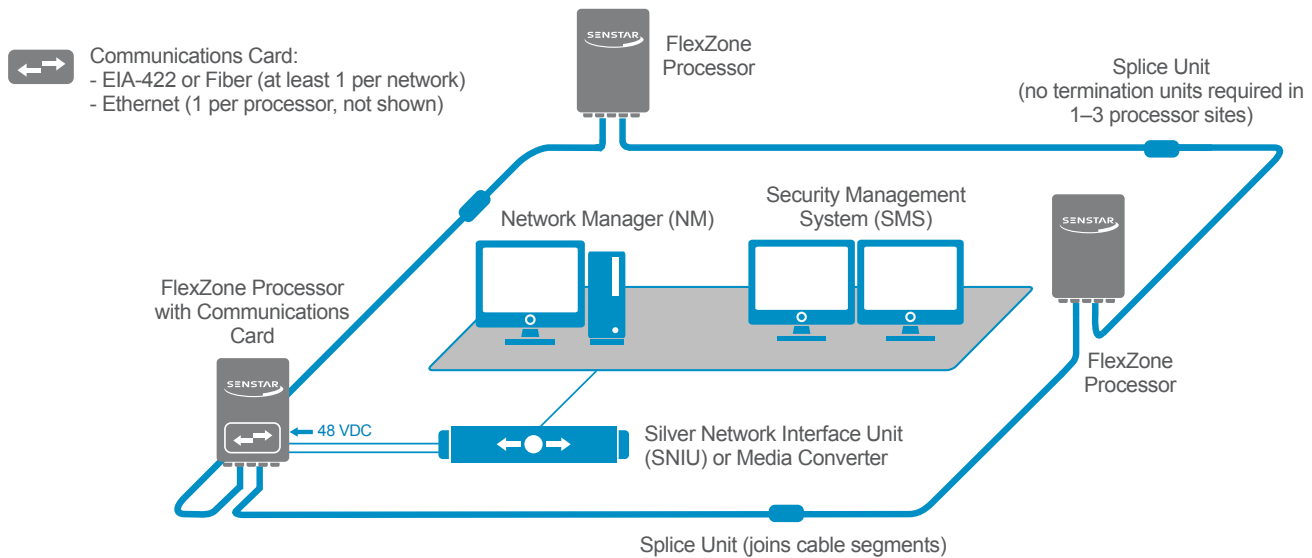
The sensor network connects to the control room via EIA-422, single or multi-mode fiber, or Ethernet links. Senstar's Windows®-based Network Manager conveys alarm and status information to a Senstar or third-party Security Management System (SMS).

For integration with third-party systems, Senstar provides an SDK that includes API documentation, a Network Manager simulator, and complete sample code. The Network Manager also supports customizable ASCII text output. For information about integrating Senstar sensors, see the ultraLink Sensor Integration datasheet.

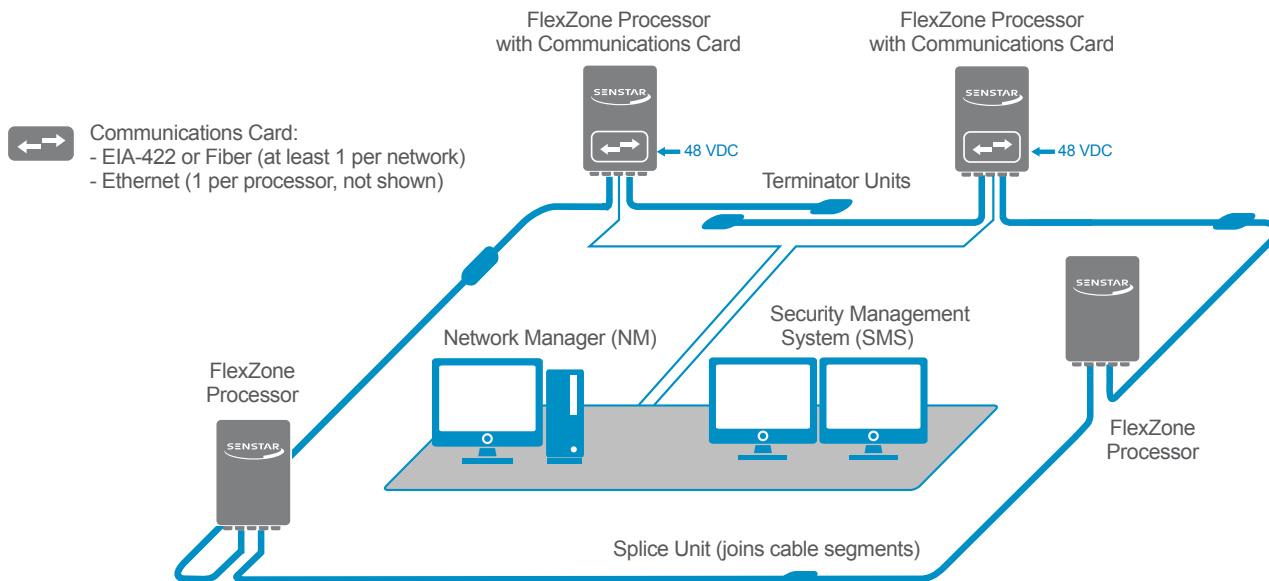
### STAND-ALONE SITE



### NETWORKED SITE (1 TO 3 PROCESSORS)



### NETWORKED SITE (4+ PROCESSORS)



**PROCESSOR SPECIFICATIONS**

**Main features**

- Detect and locate intrusions on up to 600 m (1,968 ft) of active sensor cable per processor
- Pinpoints intrusions within ±3 m (±10 ft)
- Environmentally Derived Adaptive Processing Technology (EDAPT) lowers Nuisance Alarm Rate (NAR) by mitigating the effects of wind and rain
- The Probability of detection (Pd) of an intruder cutting the fence, lifting the fence fabric, or climbing unaided over the fence shall be a minimum of 95% with a 95% confidence factor, when the system is installed in accordance with the manufacturer's directions on a high-quality fence
- Calibration and operating parameters configured via UCM software
- Audio output of fence response
- Available in two models:
  - FlexZone-4: Supports up to 4 zones
  - FlexZone-60: Supports up to 60 zones

**Environmental specifications**

- Temperature: -40 to 70 °C (-40 to 158 °F)
- Humidity: 100% (condensing)
- Rugged all-weather painted aluminum UL, NEMA Type 4X (IP66) enclosure with hinged, locking cover

**Electrical specifications**

- Input power: 10 to 60 VDC
- Consumption: 2.0W (base processor), 2.5W with communications card
- Power over sensor cables: 48V, 50W power supply required
- Power supply sharing: Up to 5 processors per power supply (power is shared over sensor cables to the two adjacent processors on each side)
- Auxiliary power output: 2.0W, 34 to 60 VDC
- Lightning protection: Transient voltage protection on all inputs and outputs, including power

**Physical specifications**

- Dimensions (L/W/D): 31.6 x 18.6 x 9.0 cm (12.5 x 7.3 x 3.5 in), including cable glands and mounting brackets
- Weight: 1.2 kg (2.6 lbs)
- 5 cable entry points with compression glands (includes filler plugs)
- External ground lug

**Supervision/self-test features**

- Monitoring of the sensor cable to detect opens, shorts and grounding
- Enclosure tamper switch
- Monitoring of critical processor parameters

**On-board storage**

- Sensor data backup to onboard SD card
- Alarm queuing in the event of a network interruption

**RELAY OUTPUTS AND AUXILIARY INPUTS**

- 4 Form C output relays, 1.0A at 30VDC
  - Relays can be controlled locally or over the network
  - Function of each relay can be assigned based on requirement
  - Assignable functions under local control include: alarm, supervision, door tamper, power fail and fail-safe
  - Activation time programmable from 0.125 to 10 seconds
  - In network mode, relays programmable for activation type and timing
- Two self-test inputs, one per cable side, become auxiliary dry contact inputs when processor is operating in network mode
- Auxiliary inputs are programmable for supervision type, resistor value(s) and filtering

**OPTIONAL NETWORK CARDS**

- EIA-422 network card with A and B side Tx/Rx connections for Silver networks
- Multi-mode fiber optic network card with ST connectors (820 nm) to support A and B side Tx/Rx connections for Silver network. Allows distances of up to 2.2 km (7,200 ft)
- Single-mode fiber optic network card with ST connectors (9/125 single-mode fiber, 1310 nm) with A and B side Tx/Rx connections for Silver network. Allows distances of up to 10 km (32,000 ft)
- 10/100BASE-TX Ethernet card with PoE option (provides power and communications to sensor processors over one cable)

**USER-PROGRAMMABLE PARAMETERS**

- Fence type, gain, filter, and disturbance count parameters
- Stand-alone or network configuration
- Relay function assignment and operating mode
- Auxiliary input supervision parameters

**UNIVERSAL CONFIGURATION MODULE (UCM) SOFTWARE**

- Windows®-based, point-and-click interface for configuring and calibrating the processor
- Communicates with FlexZone processor via local USB connection or over network
- Precise sensitivity leveling (per meter)
- View real-time sensor data and save for later analysis

**SENSOR CABLE OPTIONS**

**FlexZone sensor cable rolls**

- High density polyethylene jacket
- Cable length: 150 m (492 ft)
- Cable outside diameter: 7 mm (0.27 in)
- Roll dimensions (H/W/D): 48 x 48 x 23 cm (19 x 19 x 9 in)
- Roll weight: 9.0 kg (20 lbs)

**FlexZone sensor cable in protective flex conduit**

- Cable length: 150 m (492 ft)
- Cable outside diameter: 14 mm (0.56 in)
- Roll dimensions (L/W/D): 46 x 46 x 28 cm (18 x 18 x 11 in)
- Roll weight (approximate): 38 kg (84 lbs)

**CABLE ACCESSORIES**

- UV-resistant cable ties
- Stainless steel cables ties with installation tool
- Waterproof cable terminators and splice kits
- Condulet – splice protection for armored cable

**GATE OPTIONS**

- Quick disconnect connector kit

**REGULATORY COMPLIANCE**

- CE (including RoHS 2)
- FCC
- REACH

PART	DESCRIPTION
G6EM0101	FlexZone-4 processor
G6EM0102	FlexZone-60 processor
G6FG0111	FlexZone sensor cable on 150 m (492 ft) roll
G6KT0101	FlexZone cable splice kit
GH0916	Bag of 1,000 UV-resistant cable ties
G6KT0201	FlexZone termination kit
G6FG0200	FlexZone armored sensor cable on 150 m (492 ft) roll
G6KT0300	FlexZone armored sensor cable condulet
00SW0100	Universal Configuration Module (UCM) Software on CD
GE0444	USB interface cable (Type A male to Type B male, 3 m (9.84 ft) length)
00BA1901	Multi-mode fiber optic communications card with ST connectors
00BA2000	EIA-422 communications card
00BA2101	Single-mode fiber optic communications card with ST connectors
00BA2200	Ethernet 10/100BASE-TX network card
C6KT0101	Quick disconnect kit
G6DA0120	Documentation CD-ROM

